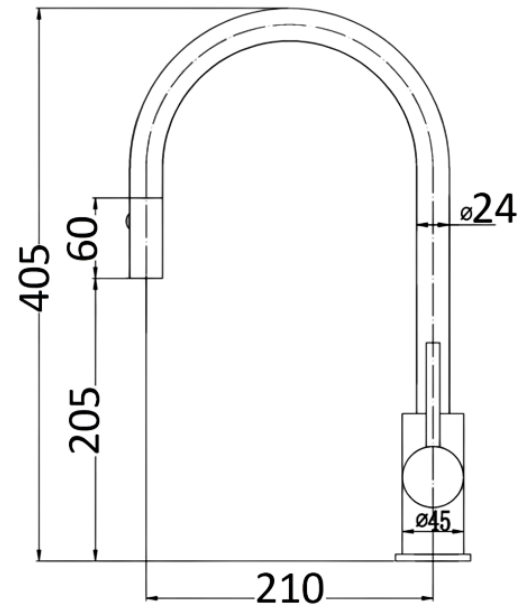




PC-1016 - Sink Mixer  
- Chrome



PC-1016-BG - Sink Mixer  
- Brushed Gold



PC-1016-BN - Sink Mixer  
- Brushed Nickel



PC-1016-GM - Sink Mixer  
- Gunmetal



PC-1016-MB - Sink Mixer  
- Matt Black



## OTUS PULL OUT SINK MIXER

**PC-1016\***

**FINISH:** See above

**MATERIAL:** Brass

**WORKING PRESSURE:** 150-500kpa

**OPERATING TEMPERATURE:** 1°C—80°C

**WELS LICENCE:** 0175

**WELS:** 5 Star 5L Per Min, Reg No. T35970

**CARTRIDGE TYPE:** 35mm Cartridge

**WARRANTY:**

8 Years Cartridge only

3 Year replacement product and parts

1 Year replacement parts and labour

1 Year Pull Out Hoses and Spray Heads

**Maintenance and Care**

- Do not use harsh detergents or products that contain chloride & halides.
- Do not use abrasive, cream or citrus based cleaners or hydrochloric acid.
- Surface should be cleaned only with a mild detergent that must be rinsed off.
- It is suggested to only clean with warm water and a soft cloth.
- Damage caused by the wrong cleaning methods used will void warranty.

**Coloured Finish Warranty:**

**2 Years** Matt Black. **5 Years** other finishes replacement product & parts.

**It is highly recommended an application of sealant at the base of the mixer to ensure a water tight seal.**