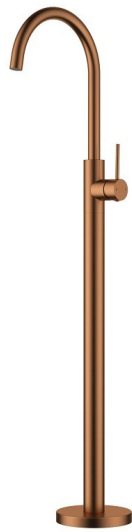




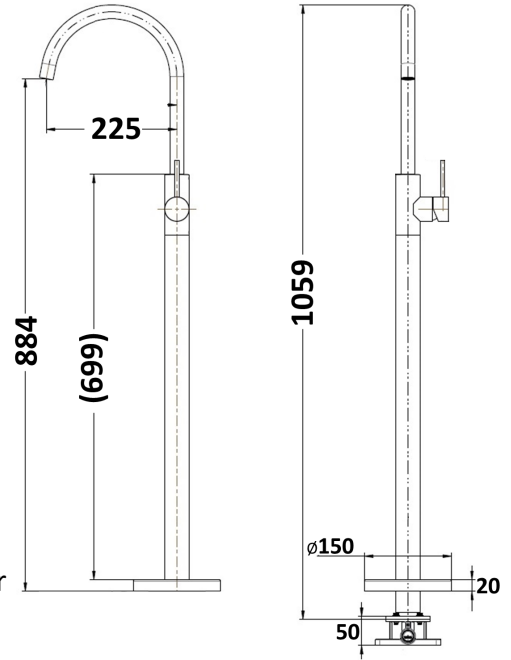
SSBF2070 - Bath Filler
- Brushed Stainless Steel



SSBF2070-BC - Bath Filler
- Brushed Copper



SSBF2070-BG - Bath Filler
- Brushed Gold



SSBF2070-BN - Bath Filler
- Brushed Nickel



SSBF2070-CH - Bath Filler
- Chrome



SSBF2070-GM - Bath Filler
- Gunmetal



SSBF2070-MB - Bath Filler
- Matt Black

OTUS SLIMLINE BATH FILLER MIXER

SSBF2070*

FINISH: See Above

MATERIAL: SS304 Stainless Steel

WORKING PRESSURE: 150-500kpa

OPERATING TEMPERATURE: 1°C—80°C

WELS LICENCE: 0175

WELS: N/A

CARTRIDGE TYPE: 35mm Cartridge

WARRANTY:

15 Years Cartridge only

5 Year replacement product and parts

1 Year replacement parts and labour

Maintenance and Care

- Do not use harsh detergents or products that contain chloride & halides.
- Do not use abrasive, cream or citrus based cleaners or hydrochloric acid.
- Surface should be cleaned only with a mild detergent that must be rinsed off.
- It is suggested to only clean with warm water and a soft cloth.
- Damage caused by the wrong cleaning methods used will void warranty.

Coloured Finish:

2 Years Matt Black. **5 Years** other finishes replacement product & parts.

It is highly recommended an application of sealant at the base of the mixer to ensure a water tight seal.