



PSH036-1
- Chrome

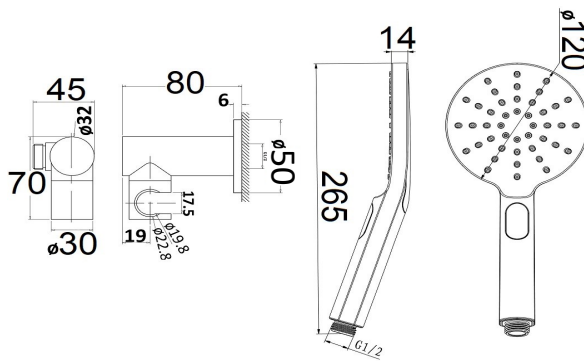
PSH036-1-BC
- Brushed Copper

PSH036-1-BG
- Brushed Gold

PSH036-1-BN
- Brushed Nickel

PSH036-1-GM
- Gunmetal

PSH036-1-B
- Matt Black



CORA HAND SHOWER on BRACKET

PSH036-1*

FINISH: See Above

Working Pressure: 150-500KPA

WELS LICENCE: 0175

WELS: 4 Star 5.5L Per Min, Reg No. S11565

HAND SHOWER: ABS, 3 Function Hand Shower

HOSE: Metal Wound Hose (Black - PVC Hose)

WARRANTY:

7 Year replacement product and parts

Warranty Coloured Finish:

2 Years Matt Black. 5 Years other finishes replacement

Summary of Maintenance and Care Instructions

Cleaning Methods: Use only mild soapy water for cleaning. Ensure that all detergent is thoroughly rinsed off the surface afterward with a dry soft cloth to prevent spots and streaks. Use Soft Cleaning Tools: Clean the surface with warm water and a soft cloth to avoid scratches.

Avoid Harsh Chemicals: Do not use detergents or cleaning products that contain chloride, halides, or hydrochloric acid. **Avoid Abrasive Cleaners:** Do not use abrasive, cream-based or citrus-based cleaners.