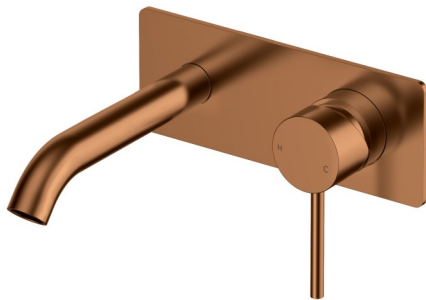
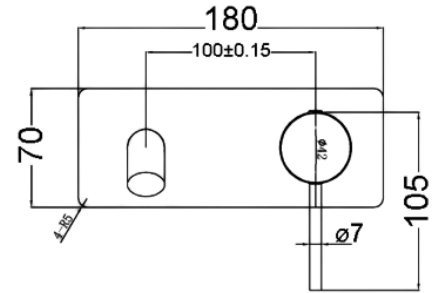


PLC3003SS-BD - Rough-In Body



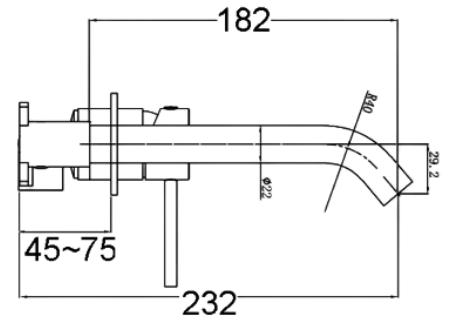
PLC3003SS - Brushed Stainless Steel
Trim Kit



PLC3003SS-BC - Brushed Copper
Trim Kit



PCL3003SS-BG - Brushed Gold
Trim Kit



PLC3003SS-CH - Chrome
Trim Kit



PCL3003SS-GM - Gunmetal
Trim Kit



PCL3003SS-MB - Matt Black
Trim Kit

OTUS SLIMLINE STAINLESS STEEL WALL BASIN MIXER **PLC3003SS***

FINISH: See Above

MATERIAL: SS304 Stainless Steel

WORKING PRESSURE: 150-500kpa

OPERATING TEMPERATURE: 1°C—80°C

WELS LICENCE: 0175

WELS: 6 Star 4.5L Per Min, Reg No. T42014

CARTRIDGE TYPE: 35mm Cartridge

WARRANTY:

15 Years Cartridge only

5 Year replacement product and parts

1 Year replacement parts and labour

Maintenance and Care

- Do not use harsh detergents or products that contain chloride & halides.
- Do not use abrasive, cream or citrus based cleaners or hydrochloric acid.
- Surface should be cleaned only with a mild detergent that must be rinsed off.
- It is suggested to only clean with warm water and a soft cloth.
- Damage caused by the wrong cleaning methods used will void warranty.

Coloured Finish:

2 Years Matt Black. **5 Years** other finishes replacement product & parts.

It is highly recommended an application of sealant at the base of the mixer to ensure a water tight seal.