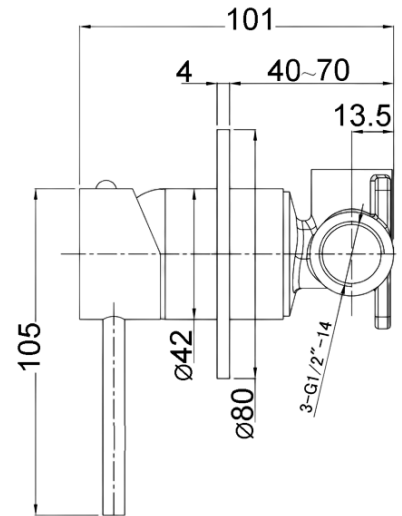




PLC3001SS-BD - Rough-In Body



PLC3001SS - Brushed
Stainless Steel Trim Kit



PCL3001SS-BC
- Brushed Copper Trim Kit



PCL3001SS-BG
- Brushed Gold Trim Kit



PLC3001SS-CH - Chrome
Trim Kit



PCL3001SS-GM - Gunmetal
Trim Kit



PCL3001SS-MB - Matt Black
Trim Kit

OTUS SLIMLINE STAINLESS STEEL WALL MIXER

PLC3001SS*

FINISH: See Above

MATERIAL: SS304 Stainless Steel

WORKING PRESSURE: 150-500kpa

OPERATING TEMPERATURE: 1°C—80°C

WELS LICENCE: N/A

WELS: N/A

CARTRIDGE TYPE: 35mm Cartridge

WARRANTY:

15 Years Cartridge only

5 Year replacement product and parts

1 Year replacement parts and labour

Maintenance and Care

- Do not use harsh detergents or products that contain chloride & halides.
- Do not use abrasive, cream or citrus based cleaners or hydrochloric acid.
- Surface should be cleaned only with a mild detergent that must be rinsed off.
- It is suggested to only clean with warm water and a soft cloth.
- Damage caused by the wrong cleaning methods used will void warranty.

Coloured Finish:

2 Years Matt Black. **5 Years** other finishes replacement product & parts.

It is highly recommended an application of sealant at the base of the mixer to ensure a water tight seal.