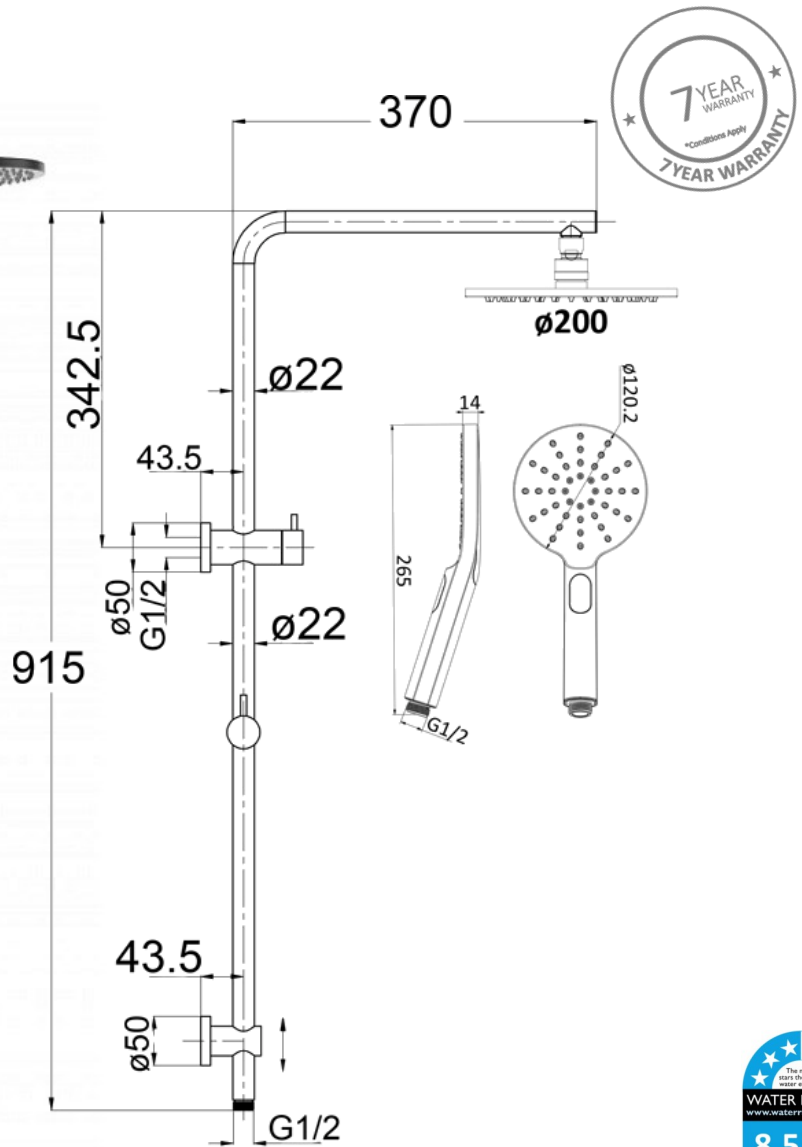




PHC4502RN- Chrome



PHC4502RN-B- Matt Black



NEW CORA II COMBINATION SHOWER on RAIL

PHC4502RNS*

FINISH: See Above

INLET: Top or Bottom

Working Pressure: 150-500KPA

WELS LICENCE: 0175

WELS: 3 Star 8.5L Per Min, Reg No. S17374

HAND SHOWER: ABS, 3 Function Hand Shower

OVERHEAD SHOWER: ABS, 200mm

HOSE: Metal Wound Hose - Chrome

HOSE: PVC Hose - Matt Black

WARRANTY:

7 Year replacement product and parts

Summary of Maintenance and Care Instructions

Cleaning Methods: Use only mild soapy water for cleaning. Ensure that all detergent is thoroughly rinsed off the surface afterward with a dry soft cloth to prevent spots and streaks. Use Soft Cleaning Tools: Clean the surface with warm water and a soft cloth to avoid scratches.

Avoid Harsh Chemicals: Do not use detergents or cleaning products that contain chloride, halides, or hydrochloric acid. **Avoid Abrasive Cleaners:** Do not use abrasive, cream-based or citrus-based cleaners.

Warranty Coloured Finish:

2 Years Matt Black. **5 Years** other finishes replacement product & parts.