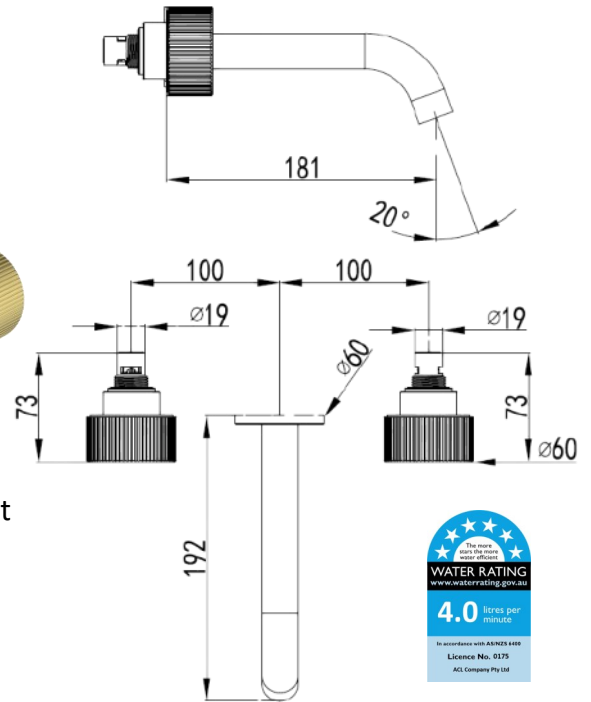




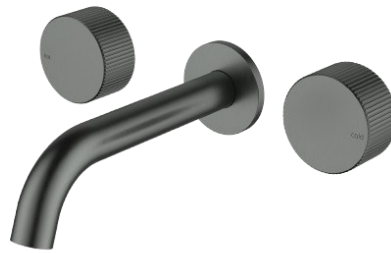
HYB77-9901 - Soko Bath Set
- Chrome



HYB77-9901BG - Soko Bath Set
- Brushed Gold



HYB77-9901BN - Soko Bath Set
- Brushed Nickel



HYB77-9901GM - Soko Bath Set
- Gunmetal



HYB77-9901MB - Soko Bath Set
- Matt Black

SOKO WALL BASIN/BATH SET

HYB77-9901*

FINISH: See Above

MATERIAL: Brass

WORKING PRESSURE: 150-500kpa

OPERATING TEMPERATURE: 1°C—80°C

WELS LICENCE: 0175

WELS: 6 Star, 4.0L/Min Reg no. T45067

1/4 Turn Ceramic Disc Spindles

WARRANTY:

7 Year replacement product and parts

1 Year replacement parts and labour

Maintenance and Care

- Do not use harsh detergents or products that contain chloride & halides.
- Do not use abrasive, cream or citrus based cleaners or hydrochloric acid.
- Surface should be cleaned only with a mild detergent that must be rinsed off.
- It is suggested to only clean with warm water and a soft cloth.
- Damage caused by the wrong cleaning methods used will void warranty.

Coloured Finish:

2 Years Matt Black. **5 Years** other finishes replacement product & parts.

It is highly recommended an application of sealant at the base of the mixer to ensure a water tight seal.