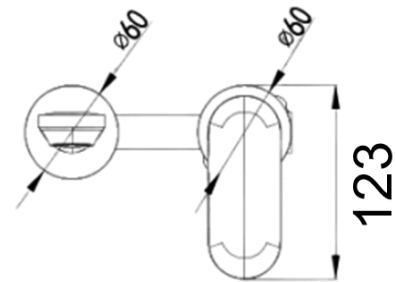




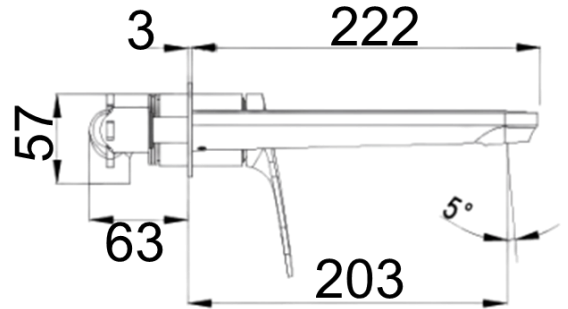
HYB168-601BD - Sulu II Wall Basin Mixer Rough-In Body



HYB168-602TK - Sulu II Wall Basin Mixer Kit - Chrome



HYB168-602TK-BG - Sulu II Wall Basin Mixer Kit - Brushed Gold



HYB168-602TK-BN - Sulu II Wall Basin Mixer Kit - Brushed Nickel



HYB168-602TK-GM - Sulu II Wall Basin Mixer Kit - Gunmetal



HYB168-602TK-MB - Sulu II Wall Basin Mixer Kit - Matt Black



## SULU II WALL BASIN MIXER - SEPARATE BACK PLATES

## HYB168-602\*

**FINISH:** See Above

**MATERIAL:** Brass

**WORKING PRESSURE:** 150-500kpa

**OPERATING TEMPERATURE:** 1°C—70°C

**WELS LICENCE:** 0175

**WELS:** 6 Star, 4.0L/Min Reg no. T45309

**CARTRIDGE TYPE:** 35mm Cartridge

**WARRANTY:**

20 Years Cartridge only

7 Year replacement product and parts

2 Year replacement parts and labour



LEAD FREE

**Maintenance and Care**

- Do not use harsh detergents or products that contain chloride & halides.
- Do not use abrasive, cream or citrus based cleaners or hydrochloric acid.
- Surface should be cleaned only with a mild detergent that must be rinsed off.
- It is suggested to only clean with warm water and a soft cloth.
- Damage caused by the wrong cleaning methods used will void warranty.

**Coloured Finish:**

**2 Years** Matt Black. **5 Years** other finishes replacement product & parts.

**It is highly recommended an application of sealant at the base of the mixer to ensure a water tight seal.**