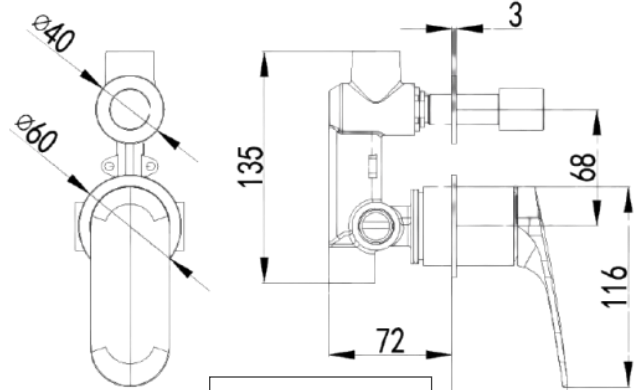




HYB168-501BD - Sulu II  
Wall Mixer Rough-In Body



HYB168-502TK - Sulu II Wall Mixer  
w\Diverter Trim Kit - Chrome



HYB168-502TK-BG - Sulu II Wall Mixer  
w\Diverter Trim Kit - Brushed Gold



HYB168-502TK-BN - Sulu II  
Wall Mixer w\Diverter Trim Kit  
- Brushed Nickel



HYB168-502TK-GM - Sulu II  
Wall Mixer w\Diverter Trim Kit  
- Gunmetal



HYB168-502TK-MB - Sulu II  
Wall Mixer w\Diverter Trim Kit  
- Matt Black



## SULU II WALL MIXER w\DIVERTER - SEPARATE BACK PLATES

## HYB168-502\*

**FINISH:** See Above

**MATERIAL:** Brass

**WORKING PRESSURE:** 150-500kpa

**OPERATING TEMPERATURE:** 1°C—70°C

**WELS LICENCE:** N/A

**WELS:** N/A

**CARTRIDGE TYPE:** 35mm Cartridge

**WARRANTY:**

20 Years Cartridge only

7 Year replacement product and parts

2 Year replacement parts and labour



LEAD FREE

**Maintenance and Care**

- Do not use harsh detergents or products that contain chloride & halides.
- Do not use abrasive, cream or citrus based cleaners or hydro-chloric acid.
- Surface should be cleaned only with a mild detergent that must be rinsed off.
- It is suggested to only clean with warm water and a soft cloth.
- Damage caused by the wrong cleaning methods used will void warranty.

**Coloured Finish:**

**2 Years** Matt Black. **5 Years** other finishes replacement product & parts.

**It is highly recommended an application of sealant at the base of the mixer to ensure a water tight seal.**