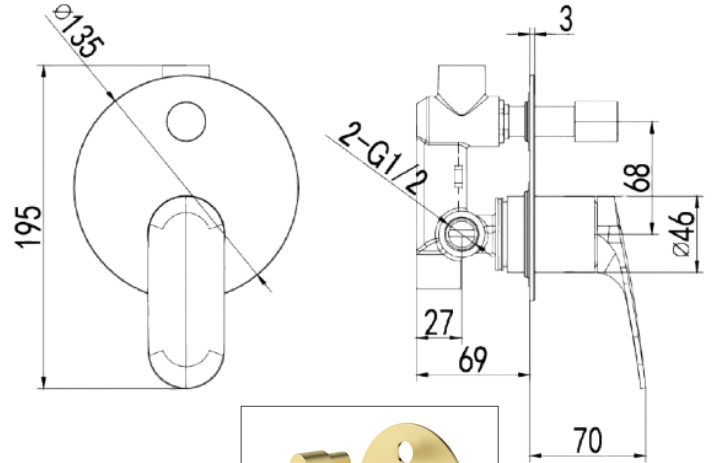




HYB168-501BD - Sulu II
Wall Mixer Rough-In Body



HYB168-501TK - Sulu II Wall Mixer
w\Diverter Trim Kit - Chrome



HYB168-501TK-BG - Sulu II Wall Mixer
w\Diverter Trim Kit - Brushed Gold



HYB168-501TK-BN - Sulu II
Wall Mixer w\Diverter Trim Kit
- Brushed Nickel



HYB168-501TK-GM - Sulu II
Wall Mixer w\Diverter Trim Kit
- Gunmetal



HYB168-501TK-MB - Sulu II
Wall Mixer w\Diverter Trim Kit
- Matt Black



SULU II WALL MIXER w\DIVERTER

HYB168-501*

FINISH: See Above

MATERIAL: Brass

WORKING PRESSURE: 150-500kpa

OPERATING TEMPERATURE: 1°C—70°C

WELS LICENCE: N/A

WELS: N/A

CARTRIDGE TYPE: 35mm Cartridge

WARRANTY:

20 Years Cartridge only

7 Year replacement product and parts

2 Year replacement parts and labour



LEAD FREE

Maintenance and Care

- Do not use harsh detergents or products that contain chloride & halides.
- Do not use abrasive, cream or citrus based cleaners or hydrochloric acid.
- Surface should be cleaned only with a mild detergent that must be rinsed off.
- It is suggested to only clean with warm water and a soft cloth.
- Damage caused by the wrong cleaning methods used will void warranty.

Coloured Finish:

2 Years Matt Black. **5 Years** other finishes replacement product & parts.

It is highly recommended an application of sealant at the base of the mixer to ensure a water tight seal.