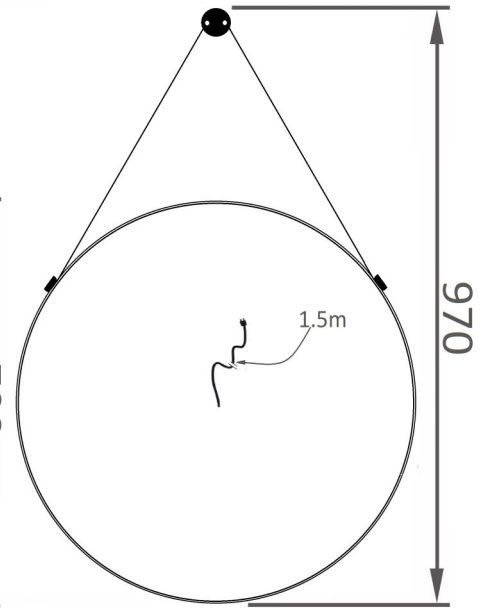
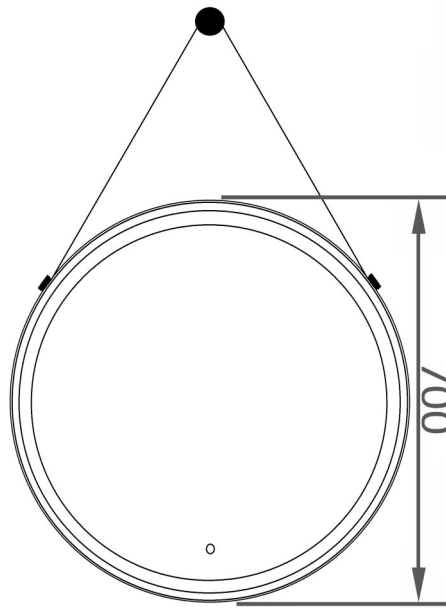


- On/Off Touch Sensor
- LED White - 3500K (Neutral)
- 200-240V AC driver, 12V output
- IP44 Rating



Round LED Mirror

RM700

- 5mm Copper Free Mirror
- On/Off Touch Sensor
- 2 Point Mounting (including Leather Strap)
- Wall Mount

WARRANTY:

5 Year replacement Mirror

- It is highly recommended a Recessed Power Point be used behind mirror. Hardwiring is an option but is not covered under warranty.