



PCK90NZ04 - Chrome



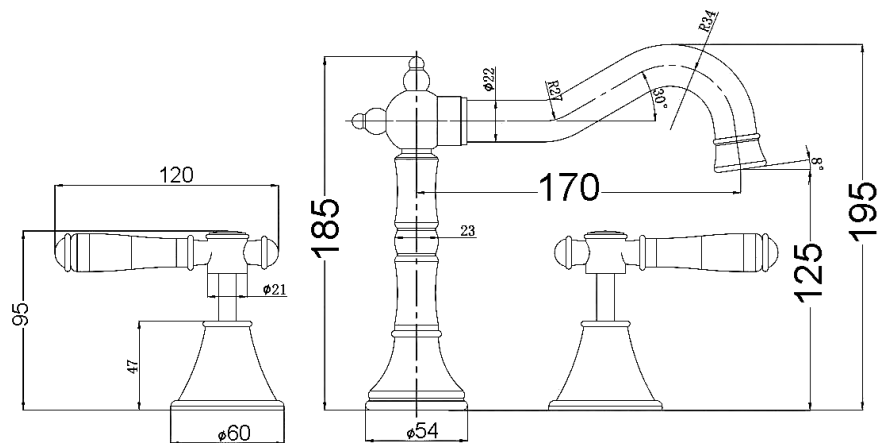
PCK90NZ04MB - Matt Black



PCK90NZ04BG - Brushed Gold



PCK90NZ04BN - Brushed Nickel



CLASICO BASIN SET

PCK90NZ04*

FINISH: See Above

- 1/4 Turn Ceramic Spindles
- Brass Handles

WORKING PRESSURE: 150-500kpa

OPERATING TEMPERATURE: 1°C—80°C

WELS LICENCE: 0175

WELS: 5 Star 5.5L Per Min, Reg No. T41842

WARRANTY:

7 years replacement product or parts
1 year for ceramic disc spindles

Maintenance and Care

- Do not use harsh detergents or products that contain chloride & halides.
- Do not use abrasive, cream or citrus based cleaners or hydrochloric acid.
- Surface should be cleaned only with a mild detergent that must be rinsed off.
- It is suggested to only clean with warm water and a soft cloth.
- Damage caused by the wrong cleaning methods used will void warranty.

Coloured Finish:

2 Years Matt Black.

5 Years other finishes replacement product & parts.

It is highly recommended an application of sealant at the base of the mixer to ensure a water tight seal.