



PCK90NZ01A - Chrome



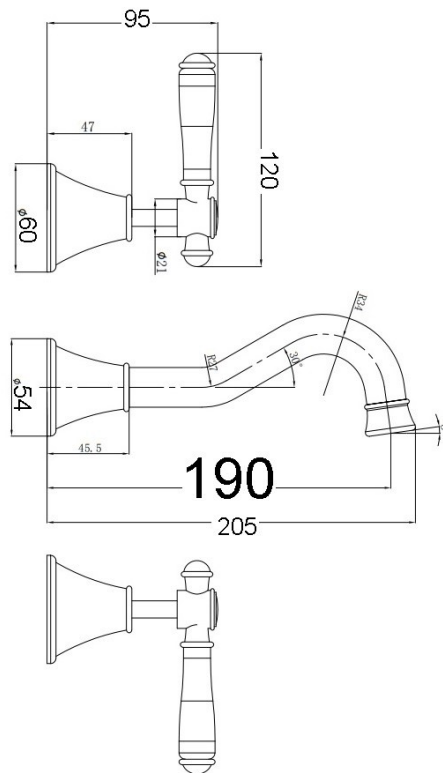
PCK90NZ01A-MB - Matt Black



PCK90NZ01A-BG - Brushed Gold



PCK90NZ01A-BN - Brushed Nickel



CLASICO WALL SET w\ OUTLET (Ceramic Handles)

PCK90NZ01A*

FINISH: See Above

- Suits Basin or Bath
- 1/4 Turn Ceramic Spindles
- Ceramic & Brass Handles

WORKING PRESSURE: 150-500kpa

OPERATING TEMPERATURE: 1°C—80°C

WELS LICENCE: 0175

WELS: 5 Star 5.5L Per Min, Reg No. T41843

WARRANTY:

- 7 years replacement product or parts
- 1 year for ceramic disc spindles

Maintenance and Care

- Do not use harsh detergents or products that contain chloride & halides.
- Do not use abrasive, cream or citrus based cleaners or hydrochloric acid.
- Surface should be cleaned only with a mild detergent that must be rinsed off.
- It is suggested to only clean with warm water and a soft cloth.
- Damage caused by the wrong cleaning methods used will void warranty.

Coloured Finish:

- 2 Years Matt Black.
- 5 Years other finishes replacement product & parts.

It is highly recommended an application of sealant at the base of the mixer to ensure a water tight seal.