



PCK90NZ01 - Chrome



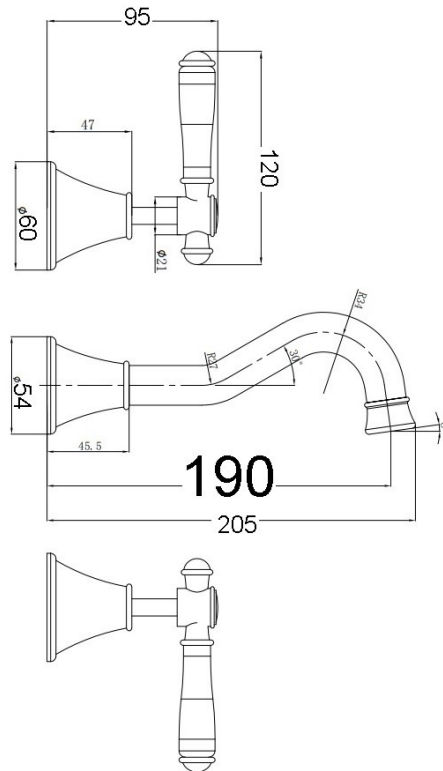
PCK90NZ01-MB - Matt Black



PCK90NZ01-BG - Brushed Gold



PCK90NZ01-BN - Brushed Nickel



## CLASICO WALL SET w\OUTLET

## PCK90NZ01\*

**FINISH:** See Above

- Suits Basin or Bath
- 1/4 Turn Ceramic Spindles
- Brass Handles

**WORKING PRESSURE:** 150-500kpa

**OPERATING TEMPERATURE:** 1°C—80°C

**WELS LICENCE:** 0175

**WELS:** 5 Star 5.5L Per Min, Reg No. T41843

**WARRANTY:**

- 7 years replacement product or parts
- 1 year for ceramic disc spindles

**Maintenance and Care**

- Do not use harsh detergents or products that contain chloride & halides.
- Do not use abrasive, cream or citrus based cleaners or hydrochloric acid.
- Surface should be cleaned only with a mild detergent that must be rinsed off.
- It is suggested to only clean with warm water and a soft cloth.
- Damage caused by the wrong cleaning methods used will void warranty.

**Coloured Finish:**

- 2 Years Matt Black.
- 5 Years other finishes replacement product & parts.

**It is highly recommended an application of sealant at the base of the mixer to ensure a water tight seal.**