



FAA585BN—Brushed Nickel



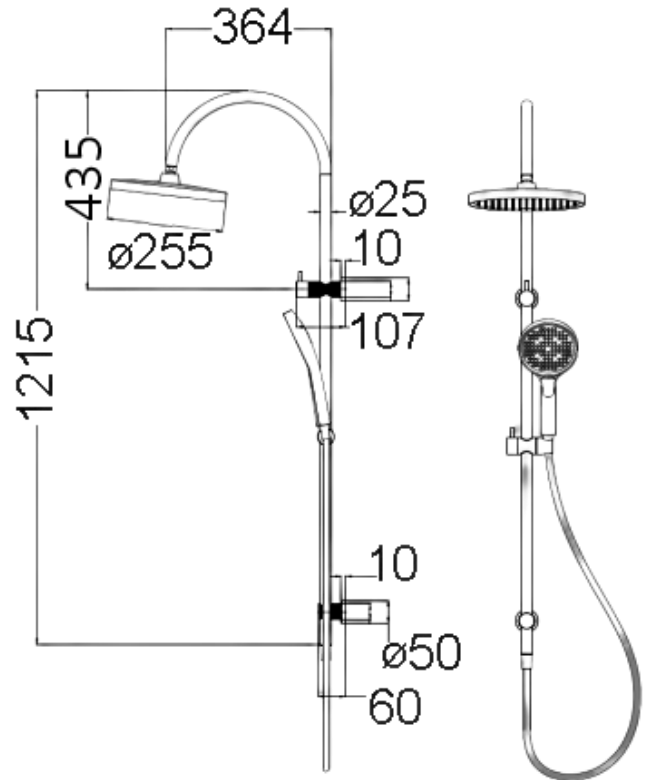
FAA585BG—Brushed Gold



FAA585GM—Gunmetal



FAA585MB—Matt Black



## LINE COMBINATION SHOWER on RAIL

## FAA585\*

**FINISH:** See Above

**Working Pressure:** 150-500KPA

**WELS LICENCE:** 0175

**WELS:** 3 Star 8.5L Per Min, Reg No. S15598

**HAND SHOWER:** ABS, 3 Function Hand Shower

**OVERHEAD SHOWER:** ABS, 250mm

**INLET:** Top

**HOSE:** PVC Hose

### Summary of Maintenance and Care Instructions

**Cleaning Methods:** Use only mild soapy water for cleaning. Ensure that all detergent is thoroughly rinsed off the surface afterward with a dry soft cloth to prevent spots and streaks. Use Soft Cleaning Tools: Clean the surface with warm water and a soft cloth to avoid scratches.

**Avoid Harsh Chemicals:** Do not use detergents or cleaning products that contain chloride, halides, or hydrochloric acid. **Avoid Abrasive Cleaners:** Do not use abrasive, cream-based or citrus-based cleaners.

### Warranty Coloured Finish:

**2 Years** Matt Black. **5 Years** other finishes replacement product & parts.