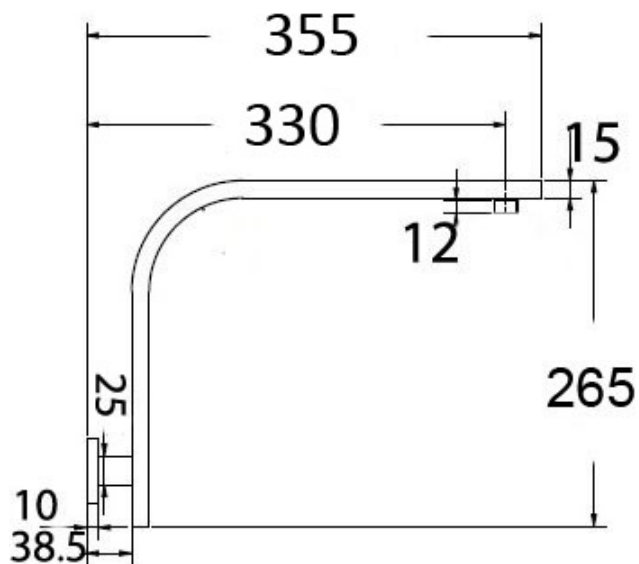




PRY030 - Chrome



PRY030-B - Matt Black



OVERHEAD GOOSENECK SHOWER ARM

PRY030*

FINISH: See Above

MATERIAL: Brass

Summary of Maintenance and Care Instructions

Cleaning Methods: Use only mild soapy water for cleaning. Ensure that all detergent is thoroughly rinsed off the surface afterward with a dry soft cloth to prevent spots and streaks. Use Soft Cleaning Tools: Clean the surface with warm water and a soft cloth to avoid scratches.

Avoid Harsh Chemicals: Do not use detergents or cleaning products that contain chloride, halides, or hydrochloric acid. **Avoid Abrasive Cleaners:** Do not use abrasive, cream-based or citrus-based cleaners.