



PHC4502RN -BG

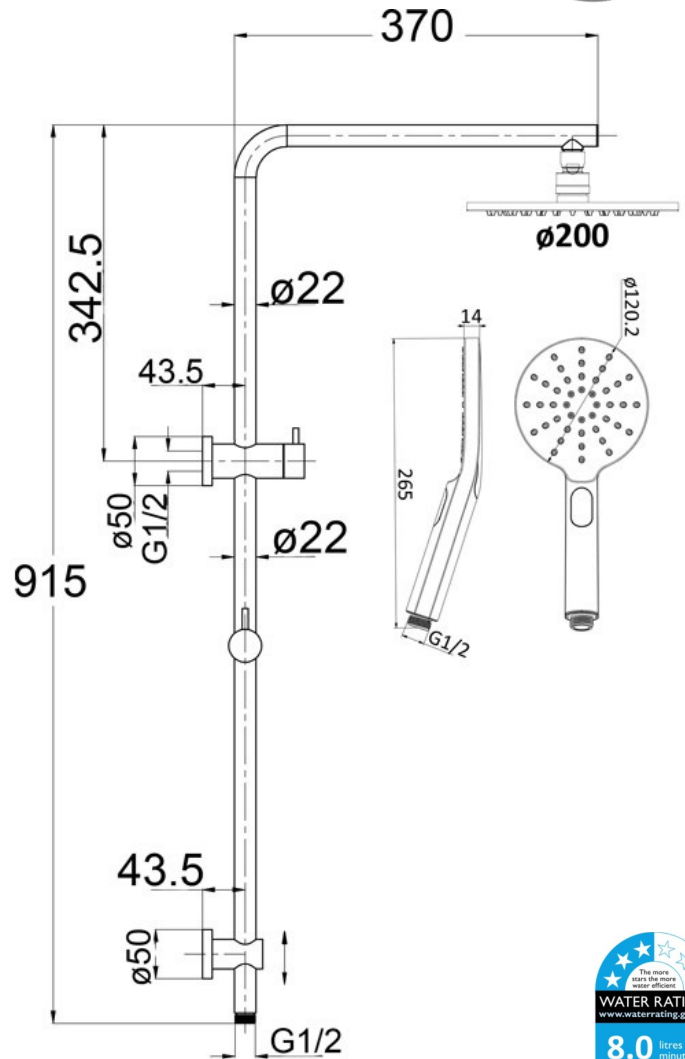
- Brushed Gold

PHC4502RN -BN

- Brushed Nickel

PHC4502RN -GM

- Gunmetal



CORA COMBINATION SHOWER on RAIL

PHC4502R-BG

FINISH: See Above

Working Pressure: 150-500KPA

WELS LICENCE: 0175

WELS: 3 Star 8L Per Min, Reg No. S15578

HAND SHOWER: ABS, 3 Function Hand Shower

OVERHEAD SHOWER: ABS, 200mm

INLET: Top

HOSE: Metal Wound Hose (Black - PVC Hose)

Summary of Maintenance and Care Instructions

Cleaning Methods: Use only mild soapy water for cleaning. Ensure that all detergent is thoroughly rinsed off the surface afterward with a dry soft cloth to prevent spots and streaks. Use Soft Cleaning Tools: Clean the surface with warm water and a soft cloth to avoid scratches.

Avoid Harsh Chemicals: Do not use detergents or cleaning products that contain chloride, halides, or hydrochloric acid. **Avoid Abrasive Cleaners:** Do not use abrasive, cream-based or citrus-based cleaners.