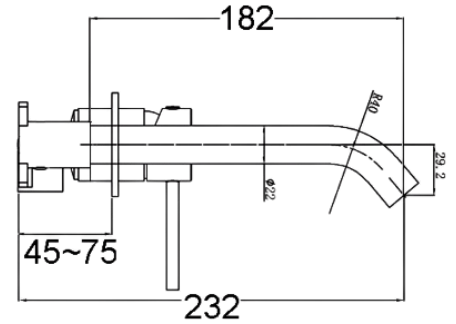




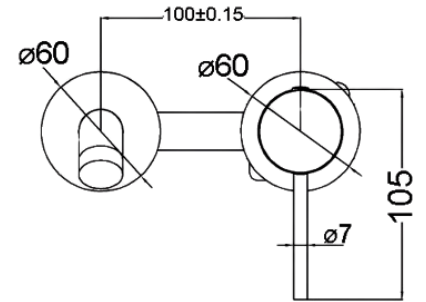
PLC3004SS-BD - Rough-In Body



PLC3004SS-CH - \*\*Chrome  
Trim Kit



PLC3004SS - Brushed Stainless Steel  
Trim Kit



PCL3004SS-MB - ^Matt Black  
Trim Kit



PCL3004SS-BG - \*\*Brushed Gold  
Trim Kit



PCL3004SS-GM - \*\*Gunmetal  
Trim Kit

## OTUS SLIMLINE STAINLESS STEEL WALL BASIN MIXER **PLC3003SS\***

**FINISH:** See Above

**MATERIAL:** SS304 Stainless Steel

**WORKING PRESSURE:** 150-500kpa

**OPERATING TEMPERATURE:** 1°C—80°C

**WELS LICENCE:** 0175

**WELS:** 6 Star 4.5L/min **Reg:** T42014

**CARTRIDGE TYPE:** 35mm Cartridge

**WARRANTY:**

15 Years Cartridge only

5 Year replacement product and parts

1 Year replacement parts and labour

**^Matt Black Finish:** 2 Year replacement Product & parts

**\*\*Metallic Finishes** 5 Year replacement Product & parts

**It is highly recommended an application of sealant at the base of the mixer to ensure a water tight seal.**