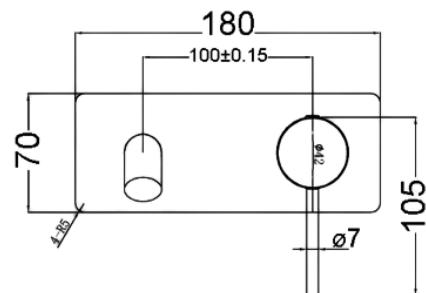




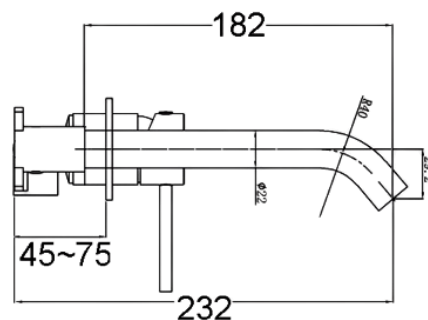
PLC3003SS-BD - Rough-In Body



PLC3003SS-CH - **Chrome
Trim Kit



PLC3003SS - Brushed Stainless Steel
Trim Kit



PCL3003SS-MB - ^Matt Black
Trim Kit



PCL3003SS-BG - **Brushed Gold
Trim Kit



PCL3003SS-GM - **Gunmetal
Trim Kit

OTUS SLIMLINE STAINLESS STEEL WALL BASIN MIXER **PLC3003SS***

FINISH: See Above

MATERIAL: SS304 Stainless Steel

WORKING PRESSURE: 150-500kpa

OPERATING TEMPERATURE: 1°C—80°C

WELS LICENCE: 0175

WELS: 6 Star 4.5L/min **Reg:** T42014

CARTRIDGE TYPE: 35mm Cartridge

WARRANTY:

15 Years Cartridge only

5 Year replacement product and parts

1 Year replacement parts and labour

^Matt Black Finish: 2 Year replacement Product & parts

****Metallic Finishes** 5 Year replacement Product & parts

It is highly recommended an application of sealant at the base of the mixer to ensure a water tight seal.