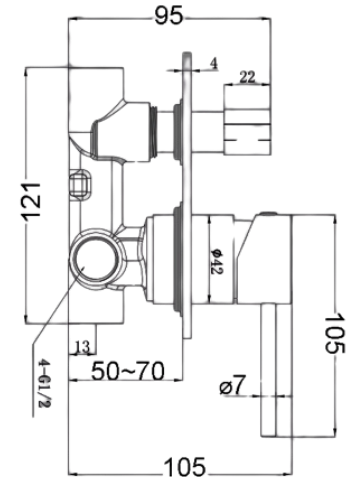
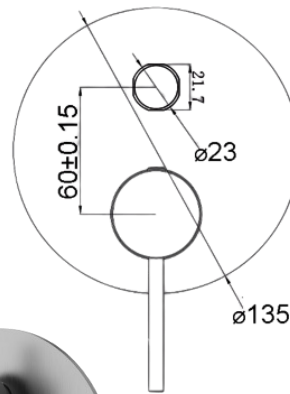


PLC3002SS-BD - Rough-In Body



PLC3002SS-CH - **Chrome
Trim Kit



PLC3002SS - Brushed Stainless Steel
Trim Kit



PCL3002SS-MB - ^Matt Black
Trim Kit



PCL3002SS-BG - **Brushed Gold
Trim Kit



PCL3002SS-GM - **Gunmetal
Trim Kit

OTUS SLIMLINE STAINLESS STEEL WALL MIXER w\DIV

PLC3002SS*

FINISH: See Above

MATERIAL: SS304 Stainless Steel

WORKING PRESSURE: 150-500kpa

OPERATING TEMPERATURE: 1°C—80°C

WELS LICENCE: N/A

WELS: N/A

CARTRIDGE TYPE: 35mm Cartridge

WARRANTY:

15 Years Cartridge only

5 Year replacement product and parts

1 Year replacement parts and labour

^Matt Black Finish: 2 Year replacement Product & parts

****Metallic Finishes** 5 Year replacement Product & parts

It is highly recommended an application of sealant at the base of the mixer to ensure a water tight seal.