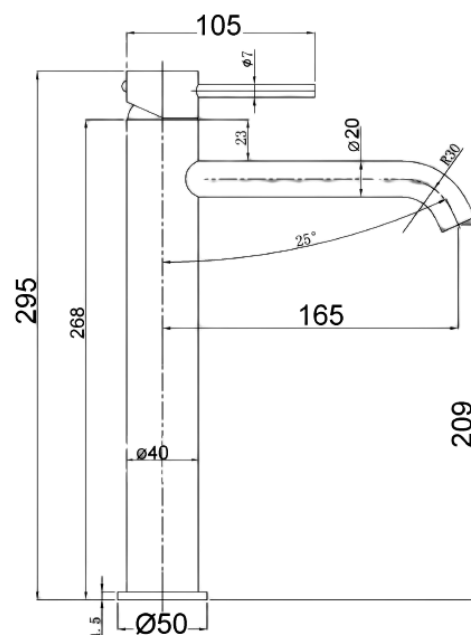




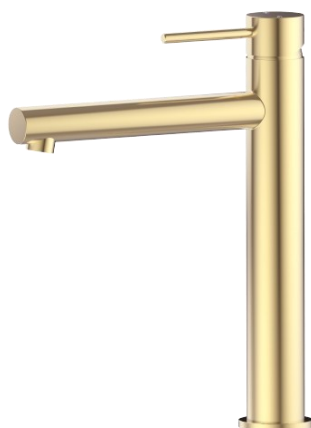
PLC2004SS-CH - \*\*Chrome



PLC2004SS - Brushed Stainless Steel



PCL2004SS-MB - ^Matt Black



PCL2004SS-BG - \*\*Brushed Gold



PCL2004SS-GM - \*\*Gunmetal



## OTUS SLIMLINE STAINLESS STEEL TOWER BASIN MIXER PLC2004SS\*

**FINISH:** See Above

**MATERIAL:** SS304 Stainless Steel

**WORKING PRESSURE:** 150-500kpa

**OPERATING TEMPERATURE:** 1°C—80°C

**WELS LICENCE:** 0175

**WELS:** 5 Star 5L Per Min, Reg No. t41845

**CARTRIDGE TYPE:** 35mm Cartridge

**WARRANTY:**

15 Years Cartridge only

5 Year replacement product and parts

1 Year replacement parts and labour

**^Matt Black Finish:** 2 Year replacement Product & parts

**\*\*Metallic Finishes** 5 Year replacement Product & parts

**It is highly recommended an application of sealant at the base of the mixer to ensure a water tight seal.**