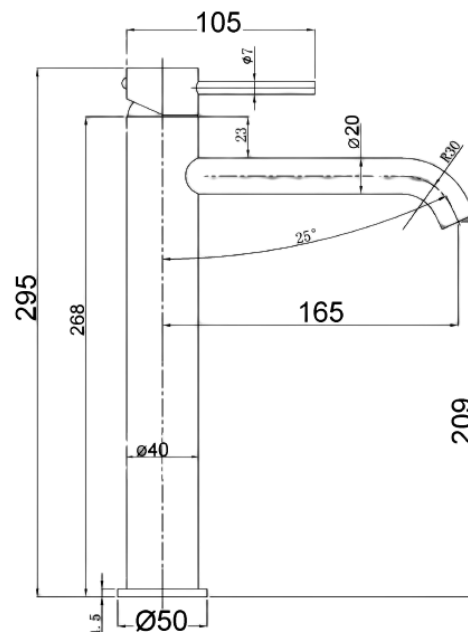




PLC2002SS-CH - **Chrome



PLC2002SS - Brushed Stainless Steel



PCL2002SS-MB - ^Matt Black



PCL2002SS-BG - **Brushed Gold



PCL2002SS-GM - **Gunmetal



OTUS SLIMLINE STAINLESS STEEL TOWER BASIN MIXER PLC2002SS*

FINISH: See Above

MATERIAL: SS304 Stainless Steel

WORKING PRESSURE: 150-500kpa

OPERATING TEMPERATURE: 1°C—80°C

WELS LICENCE: 0175

WELS: 6 Star 4.5L Per Min, Reg No. t41840

CARTRIDGE TYPE: 35mm Cartridge

WARRANTY:

15 Years Cartridge only

5 Year replacement product and parts

1 Year replacement parts and labour

^Matt Black Finish: 2 Year replacement Product & parts

****Metallic Finishes** 5 Year replacement Product & parts

It is highly recommended an application of sealant at the base of the mixer to ensure a water tight seal.