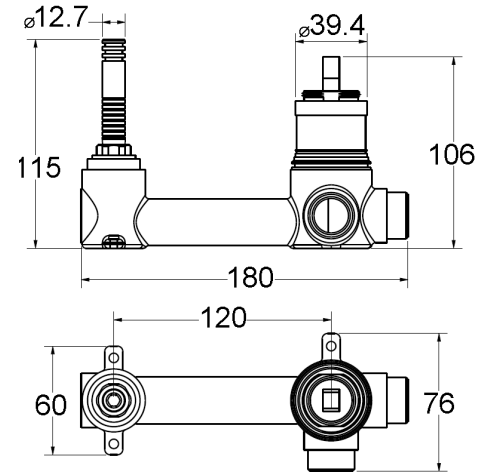
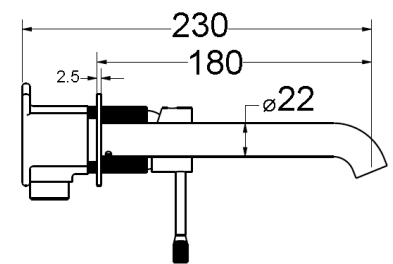
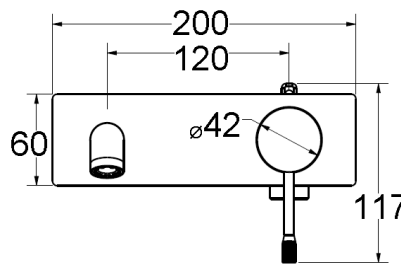


HYB585-602-BD- Rough in Body



HYB585-602BN- Brushed Nickel



HYB585-602MB - ^Matt Black



HYB585-602BG - **Brushed Gold



HYB585-602GM - **Gunmetal



LINIE WALL BASIN MIXER - 180mm OUTLET

HYB585-602*

FINISH: See Above

WORKING PRESSURE: 150-500kpa

OPERATING TEMPERATURE: 1°C—80°C

WELS LICENCE: 0175

WELS: 5 Star 5.5L Per Min, Reg No. t43092

CARTRIDGE TYPE: 35mm Cartridge

WARRANTY:

20 Years Cartridge only

5 Year replacement product and parts

2 Year replacement parts and labour

^Matt Black Finish: 2 Year replacement Product & parts

****Metallic Finishes** 5 Year replacement Product & parts

It is highly recommended an application of sealant at the base of the mixer to ensure a water tight seal.