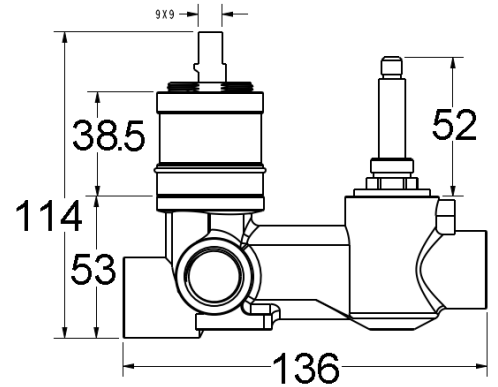
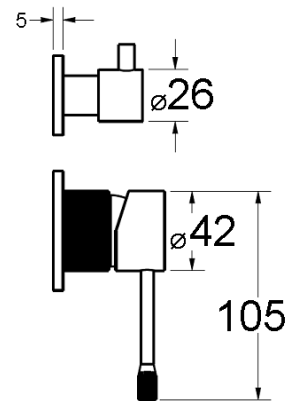
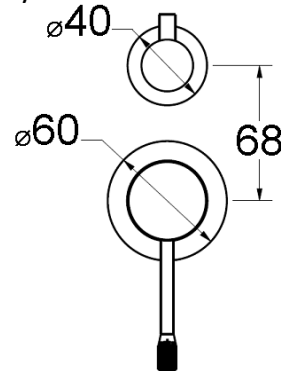




HYB585-501-BD  
- Rough-In Body



HYB585-502BN - \*\*Brushed Nickel  
Trim Kit



HYB585-502MB - ^Matt Black  
Trim Kit



HYB585-502BG - \*\*Brushed Gold  
Trim Kit



HYB585-502GM - \*\*Gunmetal  
Trim Kit

## LINIE WALL MIXER with DIVERTER

## HYB585-502\*

**FINISH:** See Above

**WORKING PRESSURE:** 150-500kpa

**OPERATING TEMPERATURE:** 1°C—80°C

**WELS LICENCE:** N/A

**WELS:** N/A

**CARTRIDGE TYPE:** 35mm Cartridge

**WARRANTY:**

20 Years Cartridge only

5 Year replacement product and parts

2 Year replacement parts and labour

**^Matt Black Finish:** 2 Year replacement Product & parts

**\*\*Metallic Finishes** 5 Year replacement Product & parts

**It is highly recommended an application of sealant at the base of the mixer to ensure a water tight seal.**