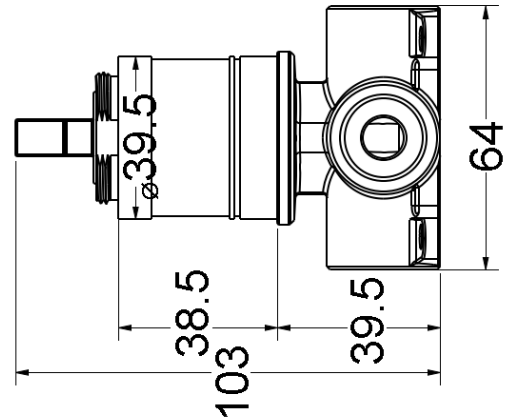
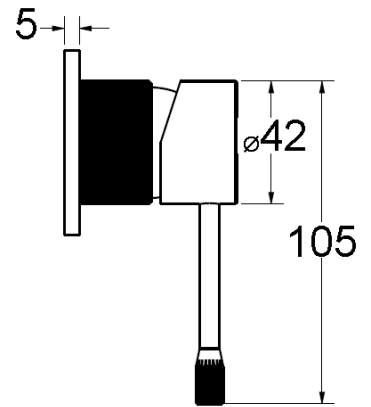
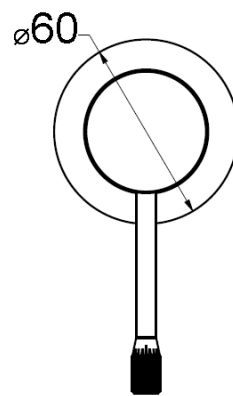




HYB585-303-BD - Rough-In Body



HYB585-303BN - **Brushed Nickel
Trim Kit



HYB585-303MB - ^Matt Black
Trim Kit



HYB585-303BG - **Brushed Gold
Trim Kit



HYB585-303GM - **Gunmetal
Trim Kit

LINIE WALL MIXER

HYB585-303*

FINISH: See Above

WORKING PRESSURE: 150-500kpa

OPERATING TEMPERATURE: 1°C—80°C

WELS LICENCE: N/A

WELS: N/A

CARTRIDGE TYPE: 35mm Cartridge

WARRANTY:

20 Years Cartridge only

5 Year replacement product and parts

2 Year replacement parts and labour

^Matt Black Finish: 2 Year replacement Product & parts

****Metallic Finishes** 5 Year replacement Product & parts

It is highly recommended an application of sealant at the base of the mixer to ensure a water tight seal.