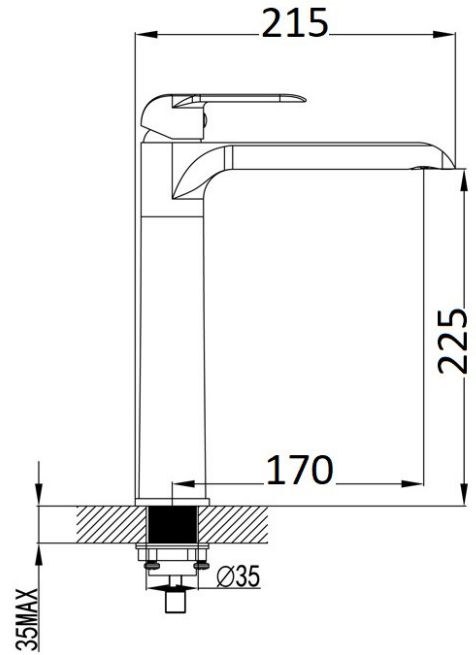




HYB11-202 - Kara High Rise
Basin Mixer - Chrome



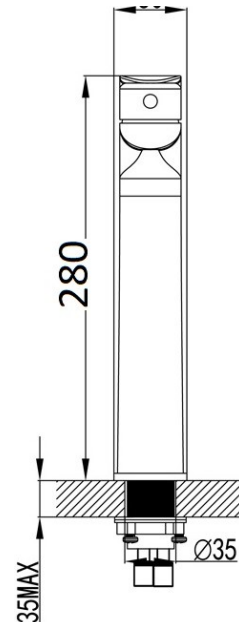
HYB11-202BN - Kara High Rise
Basin Mixer - Brushed Nickel



HYB11-202MB - Kara High Rise
Basin Mixer - Matt Black



HYB11-202BG - Kara High Rise
Basin Mixer - Brushed Gold



IKON - KARA HIGH RISE BASIN MIXER

HYB11-202*

FINISH: See Above

WORKING PRESSURE: 150-500kpa

OPERATING TEMPERATURE: 1°C—80°C

WELS LICENCE: 0175

WELS: 5 Star 5L Per Min, Reg No. T31847

CARTRIDGE TYPE: 35mm Cartridge

WARRANTY:

15 Years Cartridge only

7 Year replacement product and parts

2 Year replacement parts and labour

Finish: 2 Year replacement product & parts

It is highly recommended an application of sealant at the base of the mixer to ensure a water tight seal.